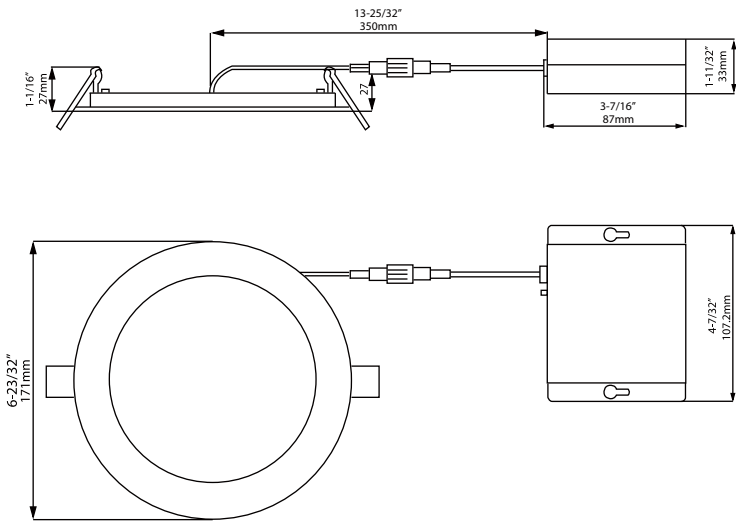


DR600RW



Job Information		
Project Name		Type
Location		
Quantity		Date
Contact/ Name		
Notes		

Description

DR600RW, a 15 watt 4-inch OCCT (Switch-selectable color temperature in 3000K, 4000K, 5000K) slim profile round LED panel is a high-performance, easy to install downlight. It offers excellent light output, energy efficiency and streamlined design. Suitable for damp location and use in soffits.

Beam Spread

- 120° beam spread;

Mounting

- Included two spring loaded clips to attach to any ceiling material;
- The slim profile allows to be mounted under joists or duct work;

LED Driver

- Extruded aluminum junction box with integrated 210mA dimmable driver included
- Class II electronic LED driver with 100 – 125V AC input;
- Includes an 18" cable from driver to fixture;

Quick Connect Push-in Terminals

- Three "Quick Connect" push-in terminals for fast and easy wiring;

Operating Temperature

- -20°C~40°C (-4°F~104°F)

Body

- Durable airtight aluminum;
- White polycarbonate diffuser lens for low glare;

LED Characteristics

- 15-Watt LED module;
- 950 to 1000 lumens, 82 CRI;
- Superior LED performance and lifespan;
- Excellent color rendering;
- Switch-selectable color temperature in 3000K, 4000K, 5000K;

Dimming

- 100% -10% dimming capability;
- Compatible with industry standard TRIAC/ELV dimmers (contact factory for listing of compatible dimmers);

Environment

- Suitable for damp locations;
- Suitable for insulated ceiling application;
- Can be installed indoor and for outdoor applications;

SPECIFICATION

Application	Ceiling Recess Mount	Energy Star	YES
Approved Location	Damp	Input	100-125V AC, 60Hz, 0.09A
Beam Angle	120°	LM 79	YES
CCT	3000K, 4000K, 5000K All in One	LM 80	YES
Certification	cETLus	Lumens	950 to 1000
Class II	YES	Lumens per Watt	Min: 54.4, Max: 60
Color	White/Black/Brushed Nickel	Power Factor	>0.95
CRI	82	Projected Life	5 Years
Dimming	YES	Wattage	15 Watt
Dimming Tech	TRIAC/ELV	Cut-Size	6 1/16"



Recessed Lighting
LED Lighting

